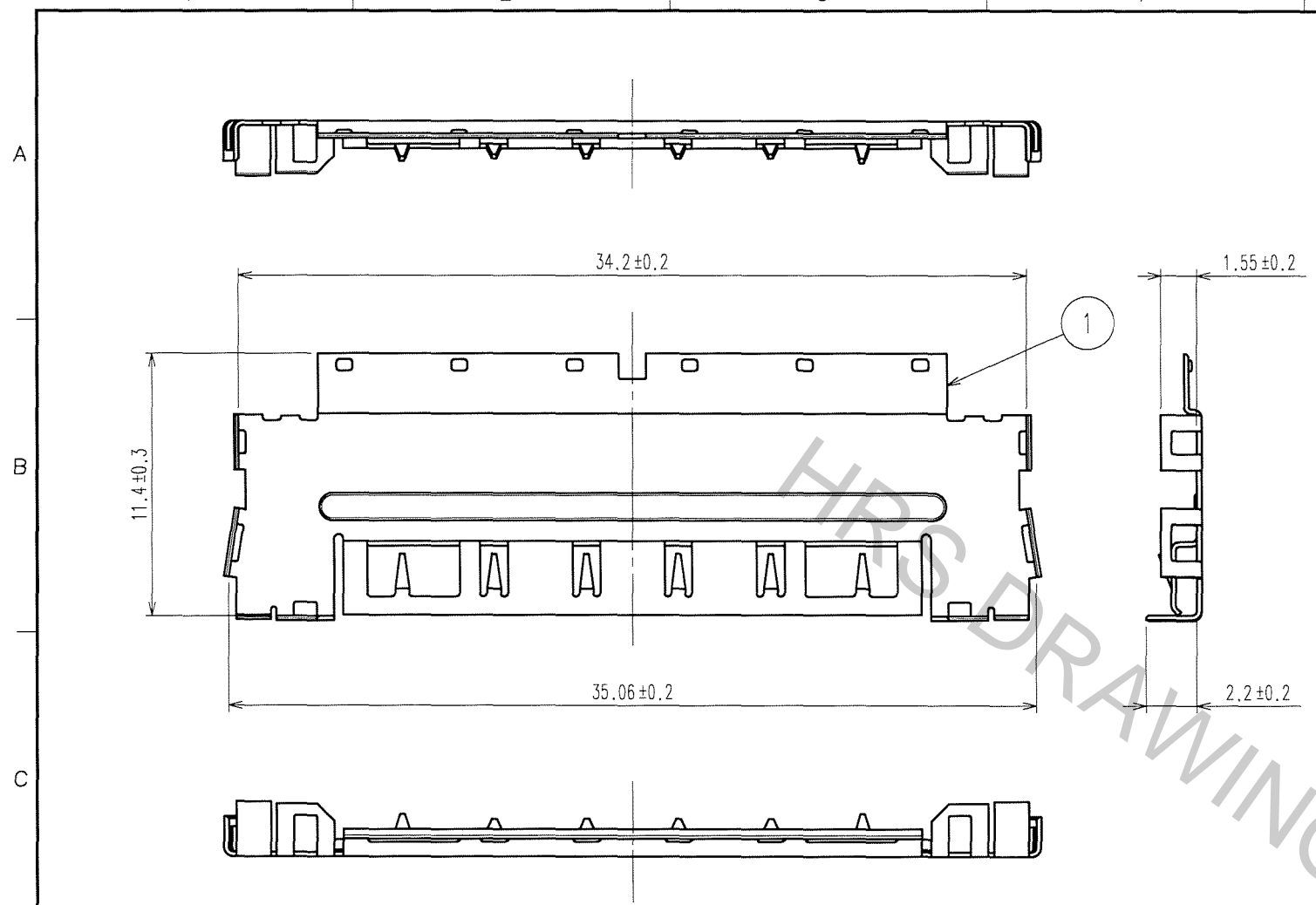
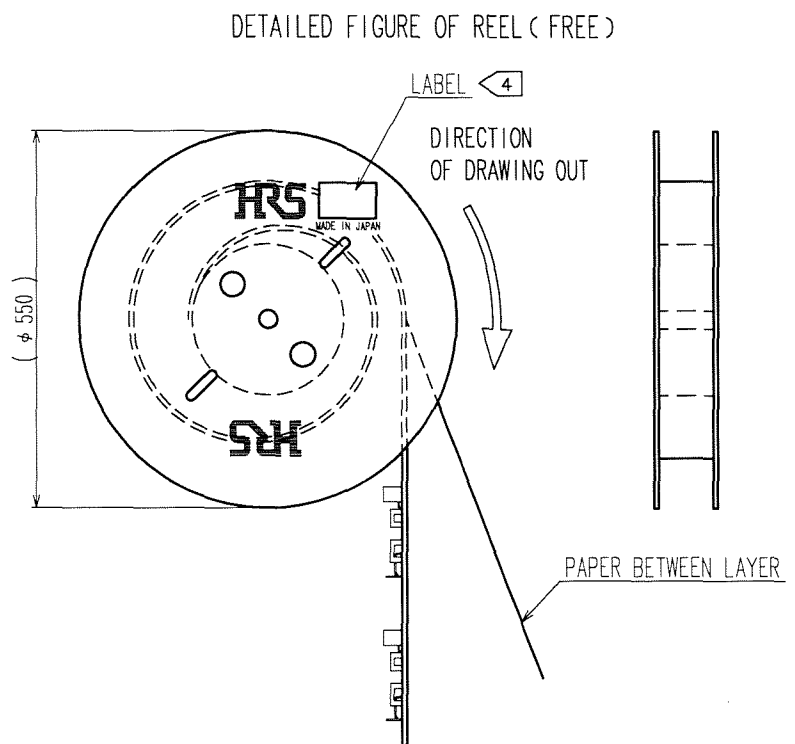
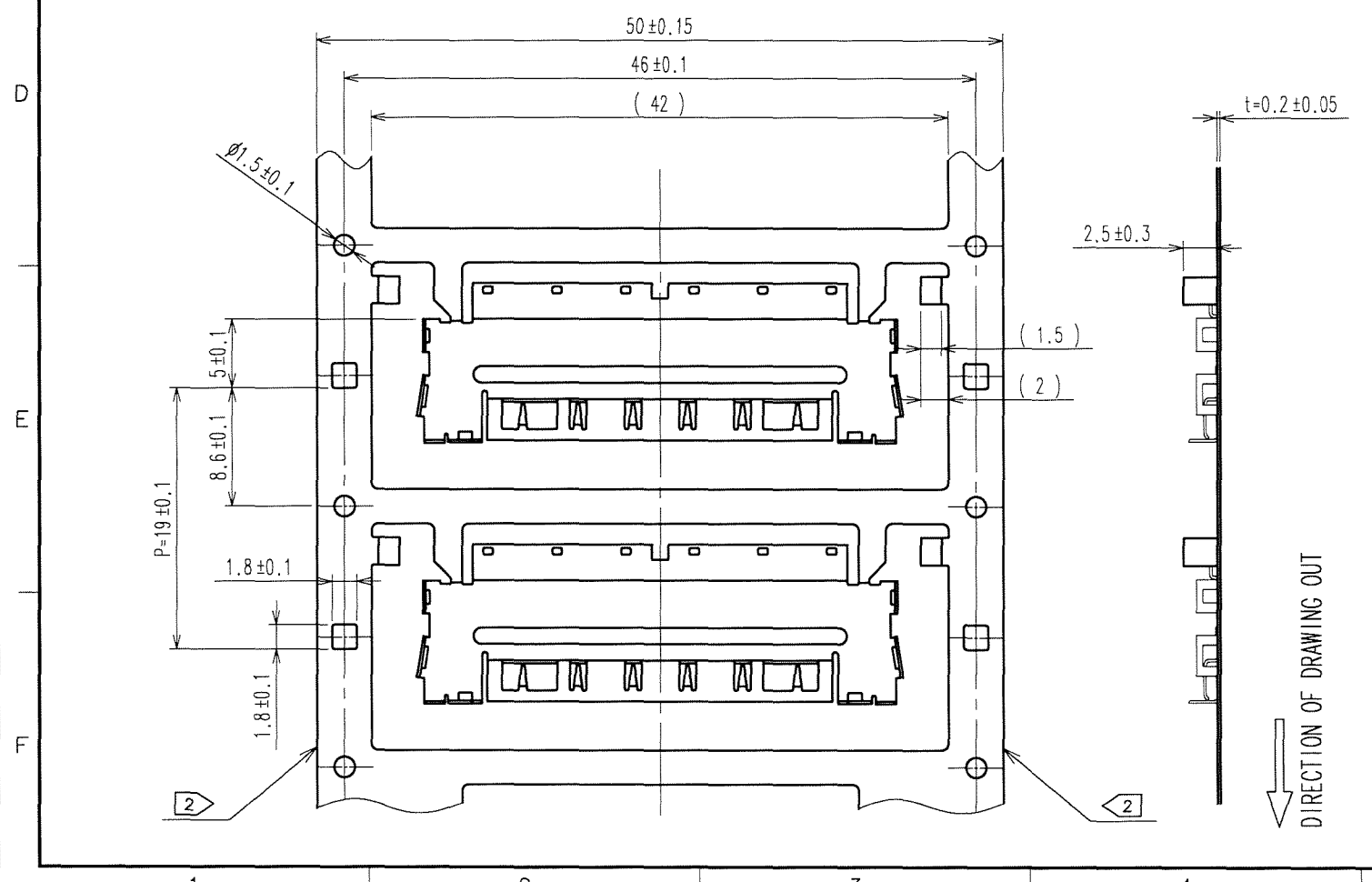


Apr.1.2017 Copyright 2017 HIROSE ELECTRIC CO., LTD. All Rights Reserved.

COUNT	DESCRIPTION OF REVISIONS	BY	CHKD	DATE	COUNT	DESCRIPTION OF REVISIONS	BY	CHKD	DATE
1	DIS-F-001927	K.S	H.Y	07.05.11					



DETAILED FIGURE OF CAREER ( 2 : 1 )



- NOTE 1. Manufacturing process could leave scratch and/or punch marks having no affect on the product performance.  
 2 Side cut can be provided to prevent carrier curve.  
 3. 2500 pieces per reel  
 4 Label as shown below is indicated.

<b>HRS</b>		INSPECTION 検査
CODE No. 品名コード	CL575-2117-2	
PART NO. 品名	FX15S-51P-GND	
QTY 数量	2,500 PCS	
PECULIAR 仕様	NPO.3	
Lot No		
SPLICE 継ぎ目		

5. Dimensions in ( ) are for reference.  
 6. This is a component for separately available product; FX15S-51P-0.5SD. △  
 Make sure to use with the specified combination.

NO.	MATERIAL	FINISH, REMARKS	1	STAINLESS	NICKEL 0.3μ m min	
CODE NO. (OLD)	CL	DRAWN	DESIGNED	CHECKED	APPROVED	RELEASED
		K.SHIBUYA	K.SHIBUYA	H.YAMAGUCHI	H.OKAWA	
		07.03.30	07.03.30	07.04.02	07.04.02	
SCALE	FREE	DRAWING NO.	PART NO.			
		EDC3-156658	FX15S-51P-GND			
UNITS	mm	<b>HRS</b> HIROSE ELECTRIC CO., LTD	CODE NO.	CL575-2117-2		
					1/1	