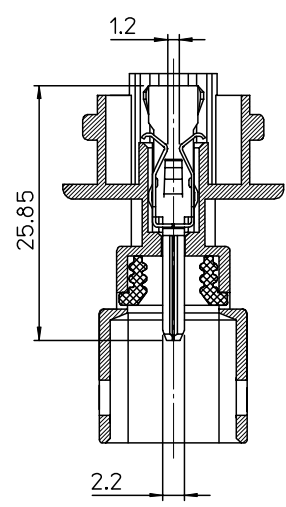
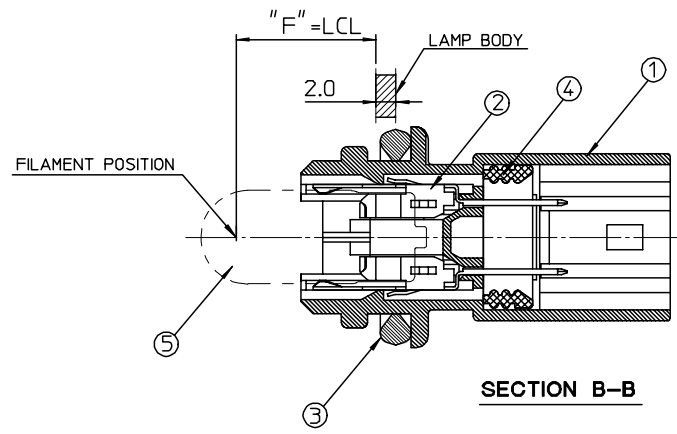


SOCKET PLUG HOLE
(SES-D-102 301-05)



SECTION A-A



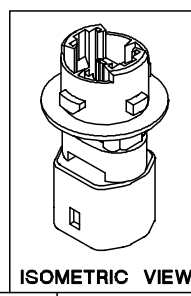
SECTION B-B

<NOTE>

- 1. ASSEMBLY PART NO. : 35340-0210
- 2. MATERIAL

NO.	PART NAME	PART NO.	MATERIAL	REMARK	Q'TY
1	SOCKET PLUG	35340-0290	POLYAMIDE(PA66)	GRAY	1
2	TERMINAL	35075-6100	COPPER ALLOY	-	2
3	O-RING	35903-0013	SILICONE	GRAY	1
4	INNER SEAL	35903-0011	SILICONE	RED	1
5	BULB	-	-	12V, 5W/18W	1

- 3. "F" DIMENSION:
ECE SPECIFICATION: 11.7mm
KS: 13.3mm



ISOMETRIC VIEW

CHANGED OF MATERIAL
EC NO: KOR2008-0070
DRW: EOKIM 2007/10/01
CHKD: BCYON 2007/10/01
APPR: YUNSIKKIM 2007/10/02

QUALITY SYMBOLS
▽=0
∇=0

GENERAL TOLERANCES (UNLESS SPECIFIED)

	mm	INCH
4 PLACES	± ---	± ---
3 PLACES	± ---	± ---
2 PLACES	± 0.2	± ---
1 PLACE	± 0.2	± ---
ANGULAR ± 1 °		

DRAFT WHERE APPLICABLE
MUST REMAIN WITHIN DIMENSIONS

DIMENSION STYLE
MM ONLY

DRAWN BY	DATE	TITLE
YJKIM	1996/01/05	FSM BULB CONN. HEADER
CHECKED BY	DATE	
YJKIM	1996/01/05	MOLEX INCORPORATED
APPROVED BY	DATE	
CWLEE	1996/01/05	

MATERIAL NO. 353400210
DOCUMENT NO. SD-35340-001

SCALE 2:1
DESIGN UNITS METRIC
THIRD ANGLE PROJECTION

MATERIAL NO. 353400210
DOCUMENT NO. SD-35340-001
SHEET NO. 1 OF 1

THIS DRAWING CONTAINS INFORMATION THAT IS PROPRIETARY TO MOLEX INCORPORATED AND SHOULD NOT BE USED WITHOUT WRITTEN PERMISSION

DO NOT SCALE DRAWING DIMENSION IN METRIC

DWG. NO. **35340-0279**

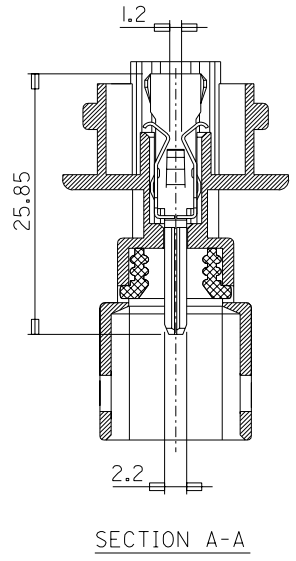
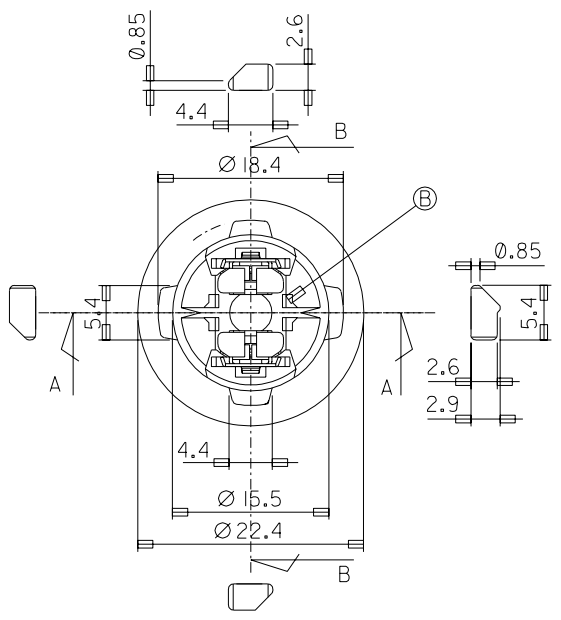
SIMILAR ITEM

PROJECT NO.

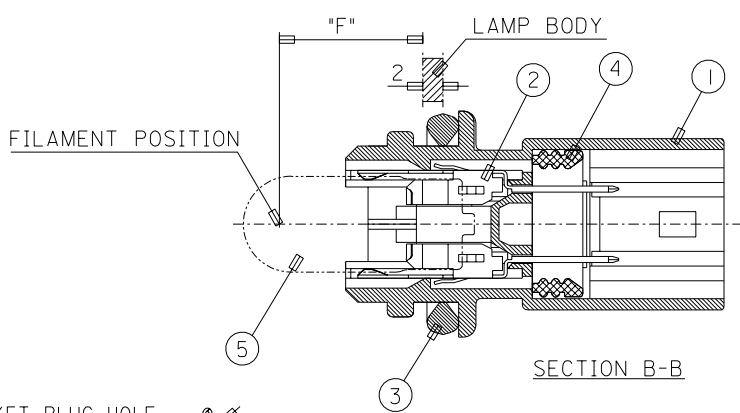
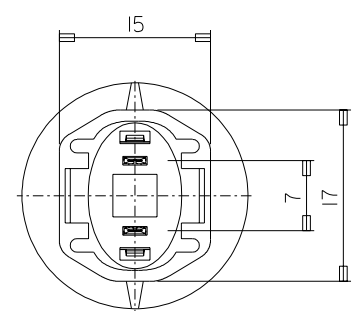
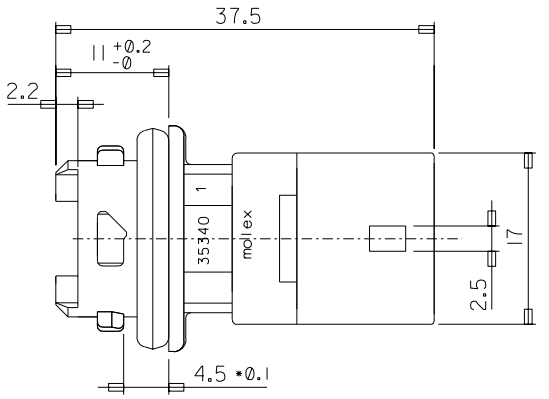
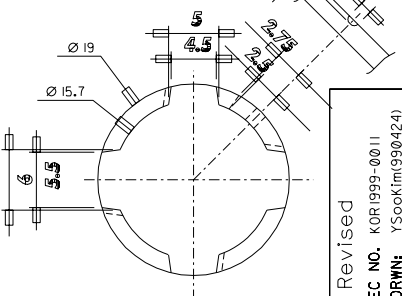
C

B

REV



SOCKET PLUG HOLE
(SES-D-102 301-05)



NOTE

1. *** ** ** ** **
2. *** ** HOLE* SES-D-102* 301-05* ***
3. *** ** BULB*** ** ** 2*** **
 \varnothing 11.7 (ECE**)
 \varnothing 13.3 (KS, SAE**)
4. GENERAL TOLERANCE

DIMENSION	TOLERANCE
LESS 4	± 0.2
4 to 8	± 0.25
8 to 16	± 0.3
16 to 32	± 0.4
32 to 63	± 0.5
63 to 126	± 0.6
DRAFT ANGLE	LESS 1° $30'$

NO	DESCRIPTION	QTY	MATERIAL	FINISH	REMARKS
5	BULB	1			12V, 5W
4	PACKING(SEAL)	1	SILICON		
3	PACKING(O-RING)	1	SILICON		
2	TERMINAL	2	Cu-ALLOY		NATURAL
1	SOCKET PLUG	1	NYLON 6		GRAY

Revised EC NO. KOR1999-0011 DRWN: YSook(mi990424) CHK: JKOh APPR: CWLee	DESCRIPTION MAJOR CRITICAL C	QUALITY SYMBOLS MAJOR CRITICAL C	GENERAL TOLERANCES: (UNLESS SPECIFIED) <table border="1"> <thead> <tr> <th></th> <th>MM</th> <th>INCH</th> </tr> </thead> <tbody> <tr> <td>4 PLACES</td> <td>$\pm 0.$</td> <td>$\pm .$</td> </tr> <tr> <td>3 PLACES</td> <td>$\pm 0.$</td> <td>$\pm .$</td> </tr> <tr> <td>2 PLACES</td> <td>$\pm 0.$</td> <td>$\pm .$</td> </tr> <tr> <td>1 PLACE^A</td> <td>$\pm 0.$</td> <td>$\pm .$</td> </tr> </tbody> </table>		MM	INCH	4 PLACES	$\pm 0.$	$\pm .$	3 PLACES	$\pm 0.$	$\pm .$	2 PLACES	$\pm 0.$	$\pm .$	1 PLACE ^A	$\pm 0.$	$\pm .$	SCALE 2:1	DESIGN UNITS <input checked="" type="checkbox"/> mm <input type="checkbox"/> INCH	THIRD ANGLE PROJECTION <input type="checkbox"/> mm <input type="checkbox"/> INCH <input checked="" type="checkbox"/> mm ONLY	SHT REV	REVISE ON CAD ONLY
					MM	INCH																	
4 PLACES	$\pm 0.$	$\pm .$																					
3 PLACES	$\pm 0.$	$\pm .$																					
2 PLACES	$\pm 0.$	$\pm .$																					
1 PLACE ^A	$\pm 0.$	$\pm .$																					
DRAWN BY & DATE YJK IM 960105	CHECKED BY & DATE YJK IM 960105	APPROVED BY & DATE CWLee	CAD FILENAME SD35340.DGN	MATERIAL NO.	DRAWING NO. SD 35340-0270	SHEET NO.	SIZE B																

TITLE: **FSM BULB CONN. HEADER**

MOLEX INCORPORATED KOREA

DRAFT WHERE APPLICABLE MUST REMAIN WITHIN DIMENSIONS

THIS DRAWING CONTAINS INFORMATION THAT IS PROPRIETARY TO MOLEX INCORPORATED AND SHOULD NOT BE USED WITHOUT WRITTEN PERMISSION.