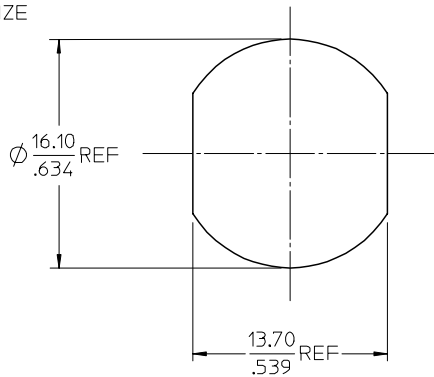


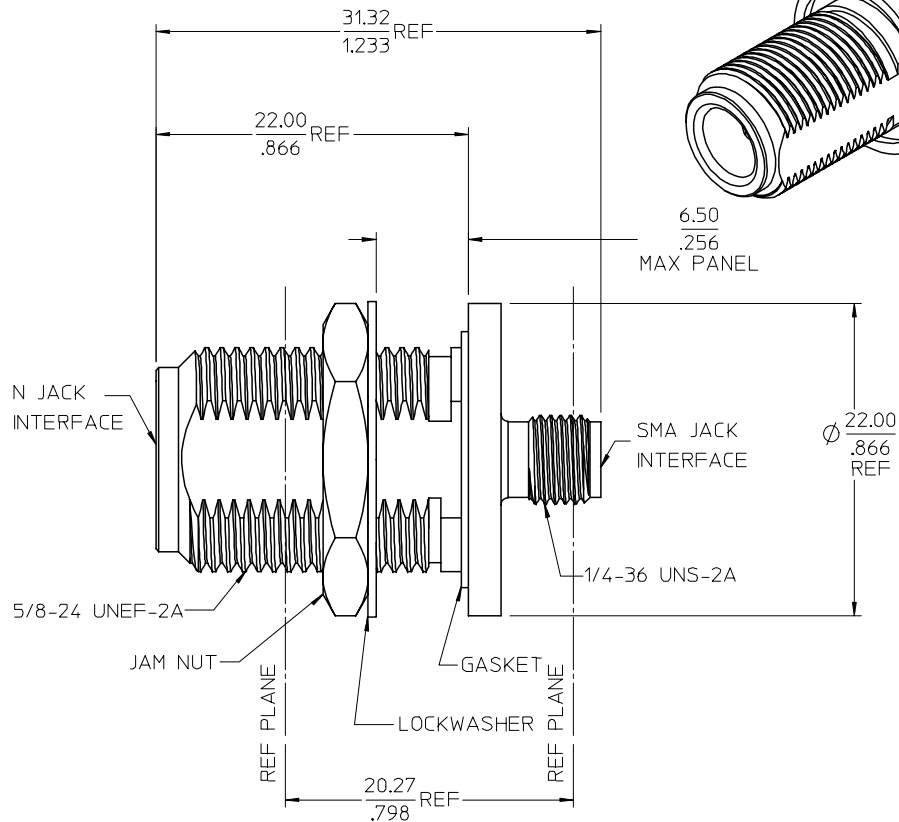
13 12 11 10 9 8 7 6 5 4 3 2 1

MATERIALS AND FINISHES

- J BODY STAINLESS STEEL
PASSIVATED
- I JAM NUT BRASS
PLATED NICKEL
- H CENTER CONTACT BERYLLIUM COPPER
PLATED GOLD
- H INSULATOR TEFLON
- G GASKET SILICONE RUBBER
- G LOCK WASHER PHOSPHOR BRONZE
PLATED NICKEL



RECOMMENDED MOUNTING HOLE



MIL-STD-348A, FIG 304-2	N INTERFACE
MIL-STD-348A, FIG 310-2	SMA INTERFACE
PS-89675-2720	ELEC/MECH PERFORMANCE
SPECIFICATION	DESCRIPTION

73386-1091	73386-1090, ONE PER BAG
73386-1090	BULK
PART NO.	PACKAGING

A	CHG: ADDED P/N 73386-1091	EC NO: URF2007-0287 DRAWN: FLAHERTY 2007/02/08 CHKD: SHAH 2007/02/08 APPR: JIM ENER 2007/02/08	DESCRIPTION	QUALITY SYMBOLS	GENERAL TOLERANCES (UNLESS SPECIFIED)	DIMENSION STYLE MM/IN	SCALE	DESIGN UNITS METRIC	THIRD ANGLE PROJECTION																													
				$\nabla=0$ $\nabla=0$						<table border="1"> <tr> <th></th> <th>mm</th> <th>INCH</th> </tr> <tr> <td>4 PLACES</td> <td>± .004</td> <td>± .0015</td> </tr> <tr> <td>3 PLACES</td> <td>± .005</td> <td>± .002</td> </tr> <tr> <td>2 PLACES</td> <td>± .0075</td> <td>± .003</td> </tr> <tr> <td>1 PLACE</td> <td>± .010</td> <td>± .004</td> </tr> </table>		mm	INCH	4 PLACES	± .004	± .0015	3 PLACES	± .005	± .002	2 PLACES	± .0075	± .003	1 PLACE	± .010	± .004	<table border="1"> <tr> <td>DRAWN BY</td> <td>DATE</td> <td>TITLE</td> </tr> <tr> <td>JM</td> <td>2005/08/23</td> <td rowspan="3">BSA, N JACK BULKHEAD TO SMA JACK, 50 OHMS EWR-2892, BSA-NJ/SMAJ</td> </tr> <tr> <td>CHECKED BY</td> <td>DATE</td> </tr> <tr> <td>JM</td> <td>2005/08/23</td> </tr> <tr> <td>APPROVED BY</td> <td>DATE</td> <td rowspan="2">MOLEX INCORPORATED</td> </tr> <tr> <td>JDW</td> <td>2005/08/23</td> </tr> <tr> <td>MATERIAL NO.</td> <td>DOCUMENT NO.</td> <td>SHEET NO.</td> </tr> <tr> <td>SEE TABLE</td> <td>SD-73386-109</td> <td>1 OF 1</td> </tr> </table>	DRAWN BY	DATE	TITLE	JM	2005/08/23	BSA, N JACK BULKHEAD TO SMA JACK, 50 OHMS EWR-2892, BSA-NJ/SMAJ	CHECKED BY	DATE	JM	2005/08/23	APPROVED BY	DATE
	mm	INCH																																				
4 PLACES	± .004	± .0015																																				
3 PLACES	± .005	± .002																																				
2 PLACES	± .0075	± .003																																				
1 PLACE	± .010	± .004																																				
DRAWN BY	DATE	TITLE																																				
JM	2005/08/23	BSA, N JACK BULKHEAD TO SMA JACK, 50 OHMS EWR-2892, BSA-NJ/SMAJ																																				
CHECKED BY	DATE																																					
JM	2005/08/23																																					
APPROVED BY	DATE	MOLEX INCORPORATED																																				
JDW	2005/08/23																																					
MATERIAL NO.	DOCUMENT NO.	SHEET NO.																																				
SEE TABLE	SD-73386-109	1 OF 1																																				
B	DRAFT WHERE APPLICABLE MUST REMAIN WITHIN DIMENSIONS			SIZE C	THIS DRAWING CONTAINS INFORMATION THAT IS PROPRIETARY TO MOLEX INCORPORATED AND SHOULD NOT BE USED WITHOUT WRITTEN PERMISSION																																	

12 11 10 9 8 7 6 5 4 3 2 1