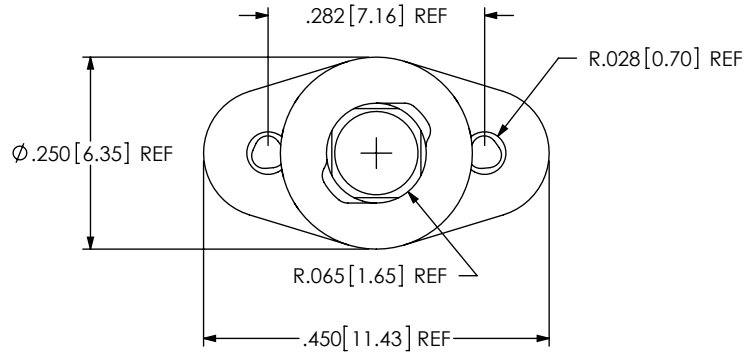


DO NOT SCALE FROM THIS PRINT



CCH-J-XX
OF POSITIONS
-01
-02 (SEE FIG 2, SHEET 2)
-04 (SEE FIG 3, SHEET 3)

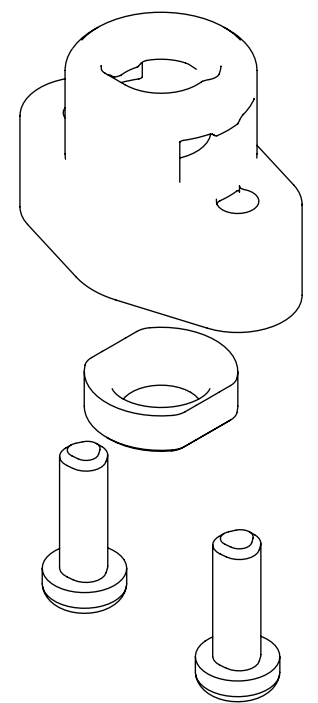
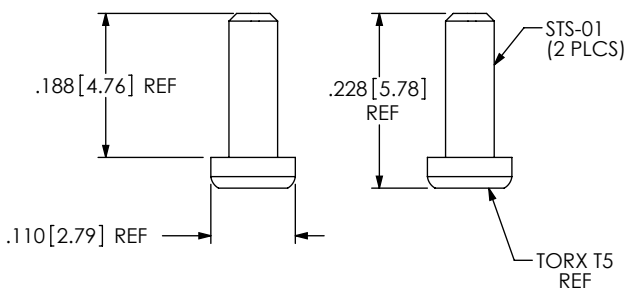
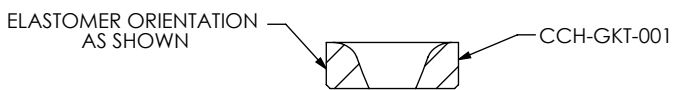
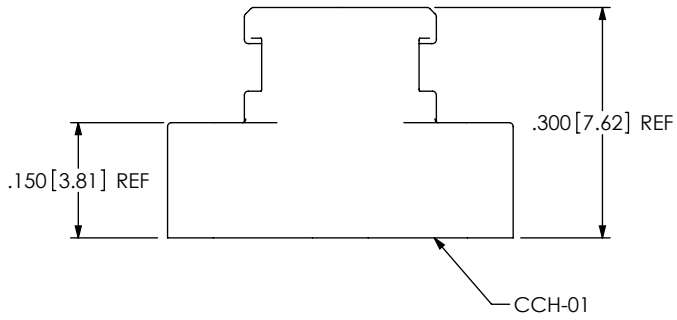



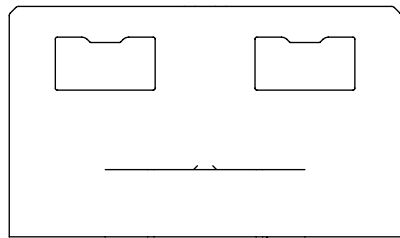
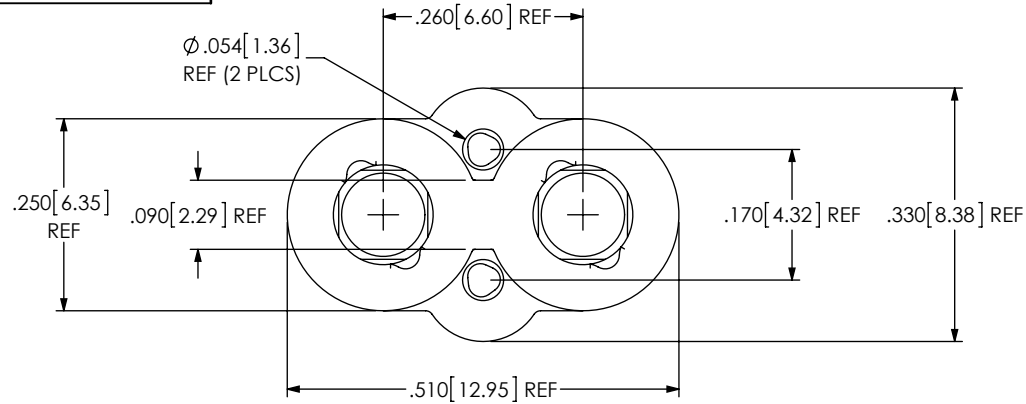
FIG 1
CCH-J-0T SHOWN

TABLE 1 - COMPONENT QUANTITIES			
COMPONENT	-01	-02	-04
CCH-XX	1	1	1
CCH-GKT-001	1	2	4
STS-01	2	2	4
BG-CCH	1	1	1
PL-BG-CCH	1	1	1

NOTES:

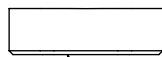
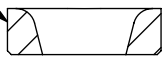
- ⊗ REPRESENTS A CRITICAL DIMENSION.
- PARTS TO BE PACKAGED IN BG-CCH BAG WITH PL-BG-CCH LABEL AS FOLLOWS:
CCH-J-01: 1 CCH-01, 1 CCH-GKT-001, & 2 STS-01 SCREWS
CCH-J-02: 1 CCH-02, 2 CCH-GKT-001, & 2 STS-01 SCREWS
CCH-J-04: 1 CCH-04, 4 CCH-GKT-001, & 4 STS-01 SCREWS
- NOTE DELETED.
- TIGHTEN STS-01 SCREWS TO 1.8 - 2.1 IN-LBS.
- NOTE DELETED.

UNLESS OTHERWISE SPECIFIED, DIMENSIONS ARE IN INCHES. TOLERANCES ARE: DECIMALS ANGLES .XX: ±.01 [.3] 2° .XXX: ±.005 [.13] .XXXX: ±.0020 [.051]	PROPRIETARY NOTE THIS DOCUMENT CONTAINS INFORMATION CONFIDENTIAL AND PROPRIETARY TO SAMTEC, INC. AND SHALL NOT BE REPRODUCED OR TRANSFERRED TO OTHER DOCUMENTS OR DISCLOSED TO OTHERS OR USED FOR ANY PURPOSE OTHER THAN THAT WHICH IT WAS OBTAINED WITHOUT THE EXPRESSED WRITTEN CONSENT OF SAMTEC, INC.	 520 PARK EAST BLVD, NEW ALBANY, IN 47150 PHONE: 812-944-6733 FAX: 812-948-5047 e-Mail: info@SAMTEC.com code: 55322	
		DESCRIPTION: SINGLE COMPLIANT COAX ASSEMBLY	
MATERIAL: DO NOT SCALE DRAWING SHEET SCALE: 4:1 INSULATOR: LCP, COLOR: BLACK GASKET: LAIRD ECE, #89 SCREW: STEEL		DWG. NO. CCH-J-XX	
F:\DWG\MISC\MKTG\CCH-J-XX-MKT.SLDDRW		BY: GAYNOR 6/27/2008	SHEET 1 OF 4

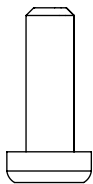


CCH-02

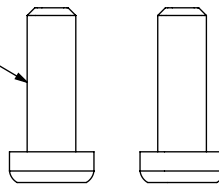
ELASTOMER ORIENTATION AS SHOWN



CCH-GKT-001
(2 PLCS)



STS-01
(2 PLCS)



SECTION "A"- "A"

"A" (top) and "A" (bottom) with a vertical dashed line indicating the section cut.

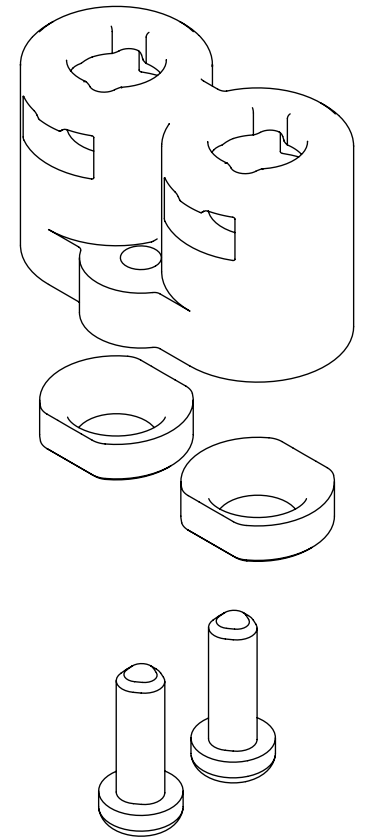
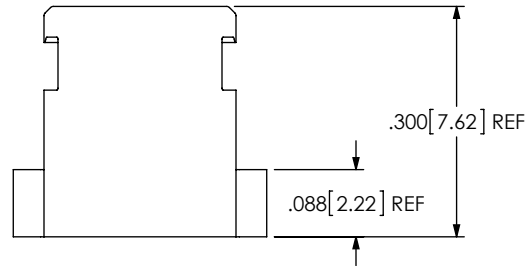


FIG 2
CCH-J-02 SHOWN
(SAME AS FIG 1 EXCEPT AS SHOWN)

PROPRIETARY NOTE
THIS DOCUMENT CONTAINS INFORMATION CONFIDENTIAL AND PROPRIETARY TO SAMTEC, INC. AND SHALL NOT BE REPRODUCED OR TRANSFERRED TO OTHER DOCUMENTS OR DISCLOSED TO OTHERS OR USED FOR ANY PURPOSE OTHER THAN THAT WHICH IT WAS OBTAINED WITHOUT THE EXPRESSED WRITTEN CONSENT OF SAMTEC, INC.

DO NOT SCALE DRAWING

SHEET SCALE: 4:1



520 PARK EAST BLVD, NEW ALBANY, IN 47150
PHONE: 812-944-6733 FAX: 812-948-5047
e-Mail: info@SAMTEC.com code: 55322

DESCRIPTION:
SINGLE COMPLIANT COAX ASSEMBLY

DWG. NO.
CCH-J-XX

BY: GAYNOR 6/27/2008 SHEET 2 OF 4

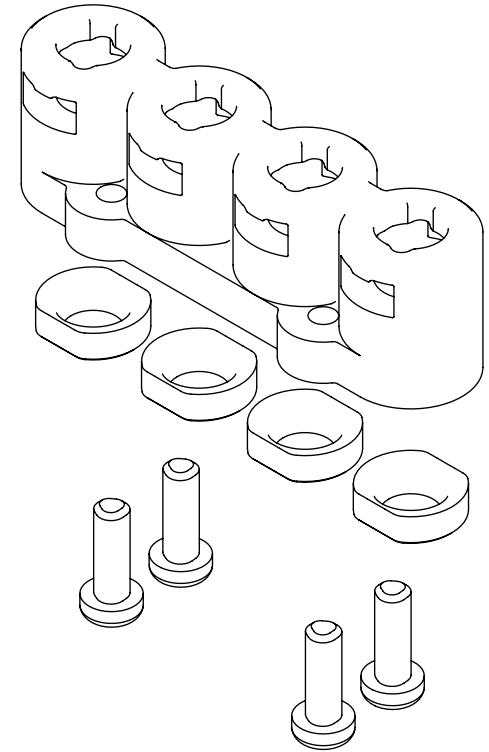
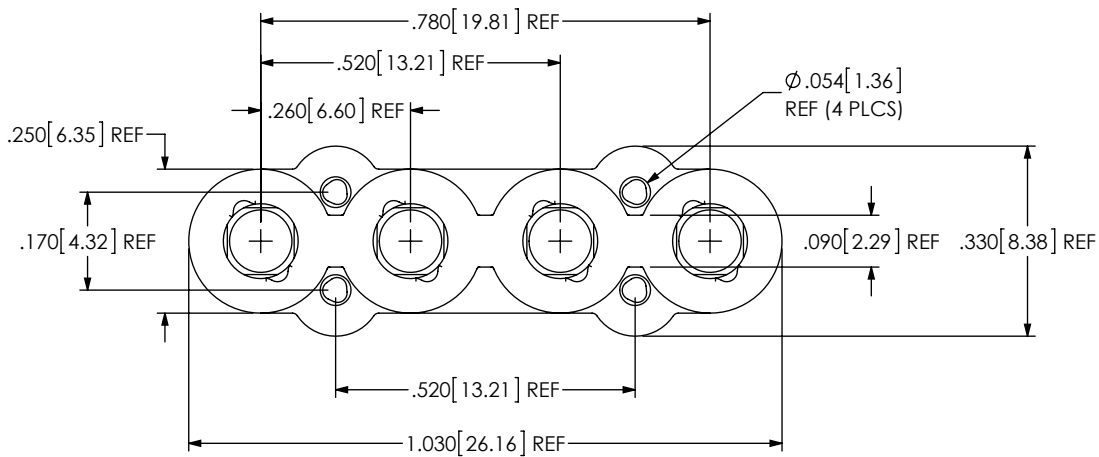
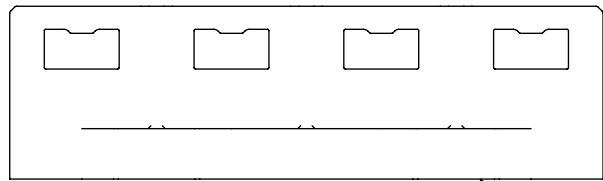
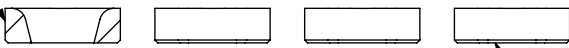


FIG 3
CCH-J-04 SHOWN
(SAME AS FIG 1 EXCEPT AS SHOWN)

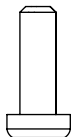


CCH-04

ELASTOMER ORIENTATION AS SHOWN



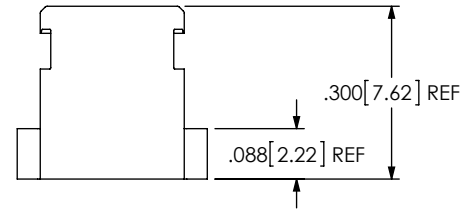
CCH-GKT-001
(4 PLCS)



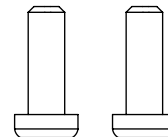
STS-01
(4 PLCS)

"B"

"B"



SECTION "B"- "B"



PROPRIETARY NOTE
THIS DOCUMENT CONTAINS INFORMATION CONFIDENTIAL AND PROPRIETARY TO SAMTEC, INC. AND SHALL NOT BE REPRODUCED OR TRANSFERRED TO OTHER DOCUMENTS OR DISCLOSED TO OTHERS OR USED FOR ANY PURPOSE OTHER THAN THAT WHICH IT WAS OBTAINED WITHOUT THE EXPRESSED WRITTEN CONSENT OF SAMTEC, INC.

DO NOT SCALE DRAWING

SHEET SCALE: 3:1

samtec

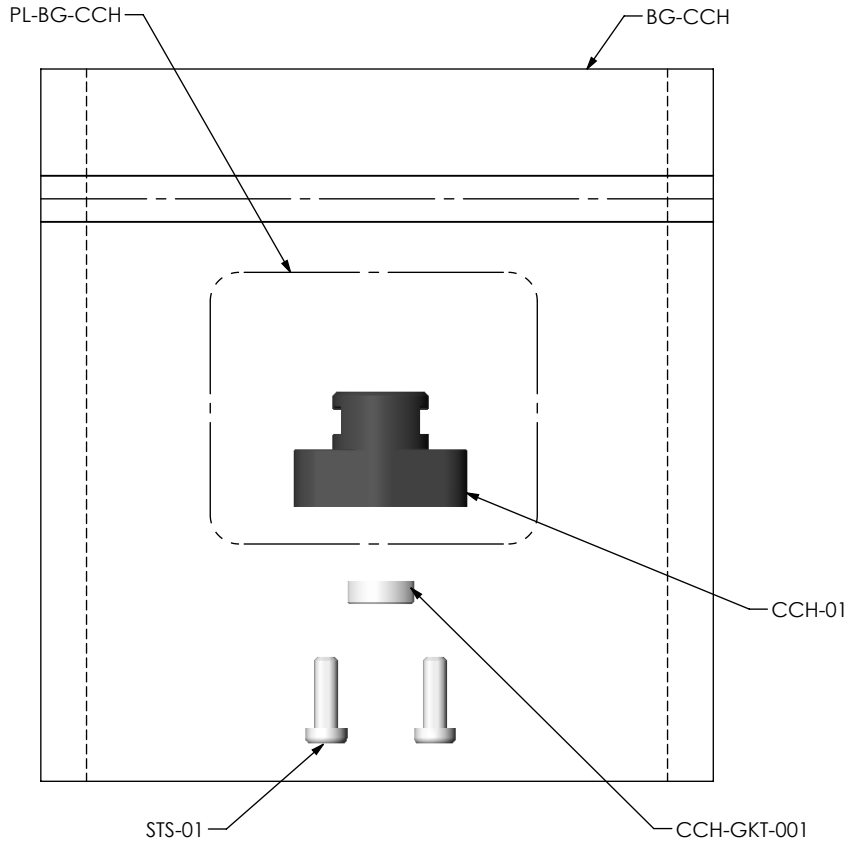
520 PARK EAST BLVD, NEW ALBANY, IN 47150
PHONE: 812-944-6733 FAX: 812-948-5047
e-Mail: info@SAMTEC.com code: 55322

DESCRIPTION:
SINGLE COMPLIANT COAX ASSEMBLY

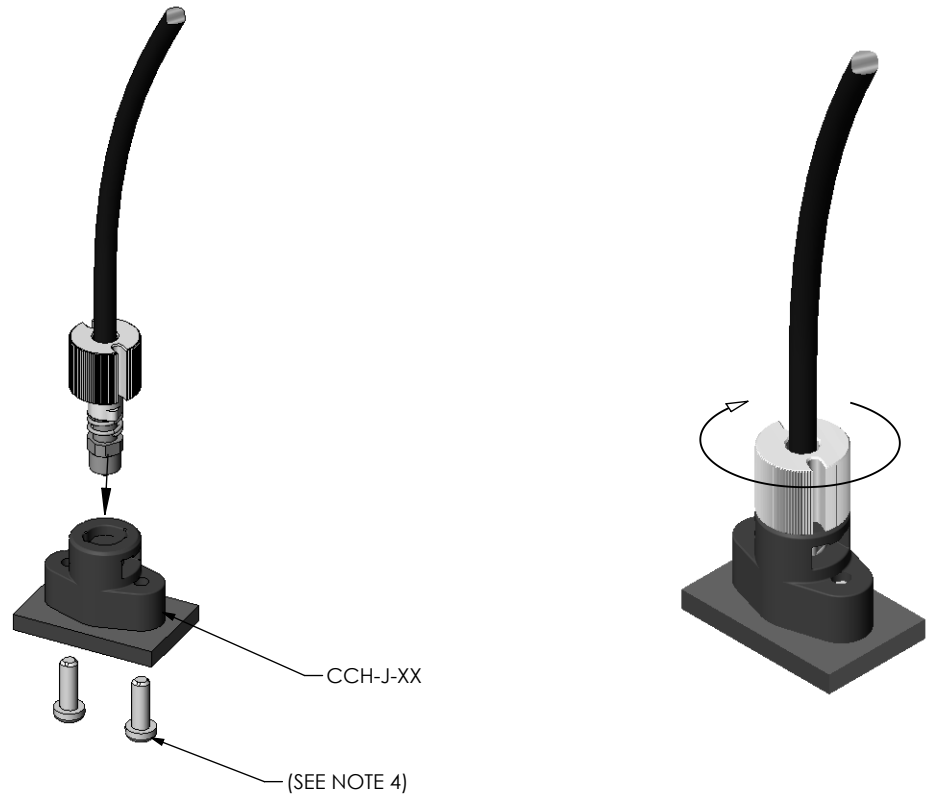
DWG. NO.
CCH-J-XX

BY: GAYNOR 6/27/2008 SHEET 3 OF 4

PACKAGING VIEW
CCH-J-01 SHOWN



APPLICATION VIEW
CCH-J-01 SHOWN



PROPRIETARY NOTE
THIS DOCUMENT CONTAINS INFORMATION CONFIDENTIAL AND PROPRIETARY TO SAMTEC, INC. AND SHALL NOT BE REPRODUCED OR TRANSFERRED TO OTHER DOCUMENTS OR DISCLOSED TO OTHERS OR USED FOR ANY PURPOSE OTHER THAN THAT WHICH IT WAS OBTAINED WITHOUT THE EXPRESSED WRITTEN CONSENT OF SAMTEC, INC.

DO NOT SCALE DRAWING

SHEET SCALE: 1:0.666667



520 PARK EAST BLVD, NEW ALBANY, IN 47150
PHONE: 812-944-6733 FAX: 812-948-5047
e-Mail: info@SAMTEC.com code: 55322

DESCRIPTION:
SINGLE COMPLIANT COAX ASSEMBLY

DWG. NO. CCH-J-XX

BY: GAYNOR 6/27/2008 SHEET 4 OF 4